

IC-9068AT

120V Line Voltage

6" IC Type Airtight Housing For Super Sloped Ceiling with Double Wall

Catalog #		Type
Project		Date
Prepared by		

INCANDESCENT

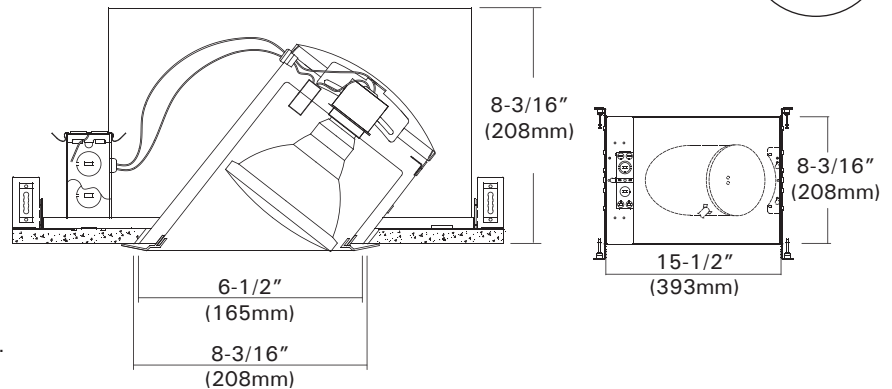


DESCRIPTION

Designed for sloped ceiling installations in ceilings with a 7/12 to 12/12 pitch.

APPLICATION

The IC-9068AT is designed for insulated ceilings and can be direct contact with insulation material. The AIR-TIGHT housing design prevents airflow through the ceiling, helping save on heating and cooling costs.



DESIGN FEATURES

**Oval Ceiling Cut-out : 8-3/16" x 6-1/2"
Lamp, Max, Watt. : 90W PAR38 / R40**

o Housing

- Double wall aluminum housing
- 7-11/16" height allows use in 2"X8" or 2"X10" joist construction.
- Housing adjusts for ceilings up to 1" thick.

o Junction Box

- Listed for through branch circuit wiring. (Max. 8 No 12 AWG 90°C branch circuit conductors. (4 in, 4 out)
- (5) 1/2" knockouts with true pry-out slots and (4) knockouts with Romex cable clamp.
- Ground wire provided on J-box.

o Mounting Frame

- Galvanized steel construction.
- 15-3/8"L x 11-3/8"W

o Bar Hangers

- Maximum extension of 24" allows for extra distance between joists.
- Housing can be positioned at any point within 24" joist span.
- Score lines allow "toolless" shortening for 12" joists. Bar hangers may be repositioned 90 degrees.
- Integral T-bar clips snaps onto T-bars and no additional clips are required.

o Just-A-Nail

- Pre-installed nail bars with vertical slots are used to evenly align the bars horizontally after nailing halfway into wood joists.

o Socket

- Medium base porcelain with nickel-plated copper screw shell.
- Snaps into bracket for consistent lamp positioning.

o Lamp

- Lamp ratings based on trim selected - See trim page for more details.

o Thermal Protector

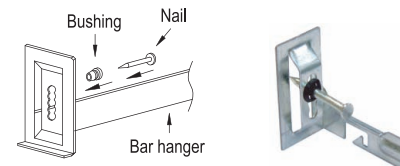
- Self-resetting thermal protector in the housing deactivates fixture if overheating occurs due to improper lamping or insulation.

* Listing

- cCSA-us certificated.

o Just-A-Nail

Adjustable nail hanger bar for easy alignment.



JUST-A-NAIL

o Optional "Quick Connect" Push-in wire connectors.

- Three "Quick Connectors"
- Pre-installed push-in wire connectors for fast and easy wiring.

Compliance

- Washington State Energy Code.
- New York State Energy Conservation Construction Code.
- Certified AIR-TIGHT Under ASTM E283.